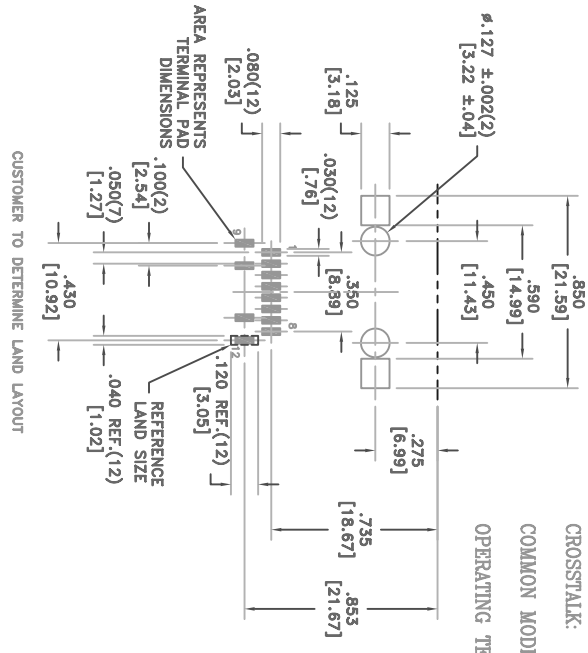
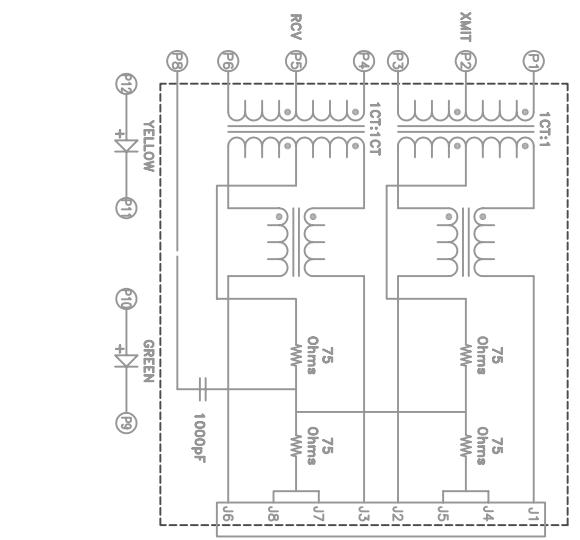


ELECTRICAL SPECIFICATIONS @ 25°C unless otherwise noted:

- INDUCTANCE: 350uH min., 100kHz, 100mV, 8mADC; J1-J2; J3-J6, Ip.
- DIELECTRIC RATING: 1500Vrms for 1 minute between P1-J1(the P1+P4).
- TURNS RATIO/POLARITY: (P1-P3):(J1-J2) = 1:1, ±2%
 (P4-P6):(J3-J6) = 1:1, ±2%.
- INSERTION LOSS: -1.0dB max., 1MHz - 100MHz.
- RETURN LOSS: -18dB min., 1M - 30MHz.
 -16dB min., 30M - 45MHz.
 -14dB min., 45M - 60MHz.
 -12dB min., 60M - 80MHz.
- CROSSTALK: -35dB min., 1MHz - 100MHz.
- COMMON MODE REJECTION: -35dB min., 1MHz - 100MHz.
- OPERATING TEMPERATURE RANGE: 0°C to +70°C.



Midcom, Inc.
 Watertown, SD USA
 Toll Free: 800-643-2661
 Fax: 605-886-4486

Unless otherwise specified:
 Tolerances:
 Fractions: ±1/64
 Decimals: ±.010[.25]
 Angles: ±1°
 This drawing is dual dimensioned. Dimensions in brackets are in millimeters.

DRAWING TITLE
TRANSFORMER
 749 801 112 1

Midcom

DRAWING NO. MIC24121-5101W-LF3
 AGENCY NUMBER UL 60950-1 E205930
 REVISIONS: SEE SHEET 1
 SCALE ---
 SHEET 2 OF 6
 REV. 6C 9/06